



Construction

Self-priming swimming pool pumps with built-in strainer and motor insulated from pumped water. The pump is made with high quality plastic materials, corrosion and sand erosion resistant. With chrome-nickel stainless steel diffuser. Base-plate kit

Applications

For water circulation in swimming pool filtration systems. For clean or slightly dirty water with solids in suspension.

Operating conditions

Water temperature up to 60 °C.
Ambient temperature up to 40 °C.
Maximum permissible pressure in the pump casing 2.5 bar.
Continuous duty.

Motor

2-pole induction motor, 60 Hz (n = 3450 rpm).
MPC: three-phase 220/380 V.
MPCM: single-phase 220.
With thermal protector up to 1.1 kW.
Capacitor inside the terminal box.

Insulation class F.
Protection IP 54.

Classification scheme IE2 for three-phase motors from 0,75 kW.
Constructed in accordance with: EN 60034-1; EN 60034-30.
EN 60335-1, EN 60335-2-41.

Materials

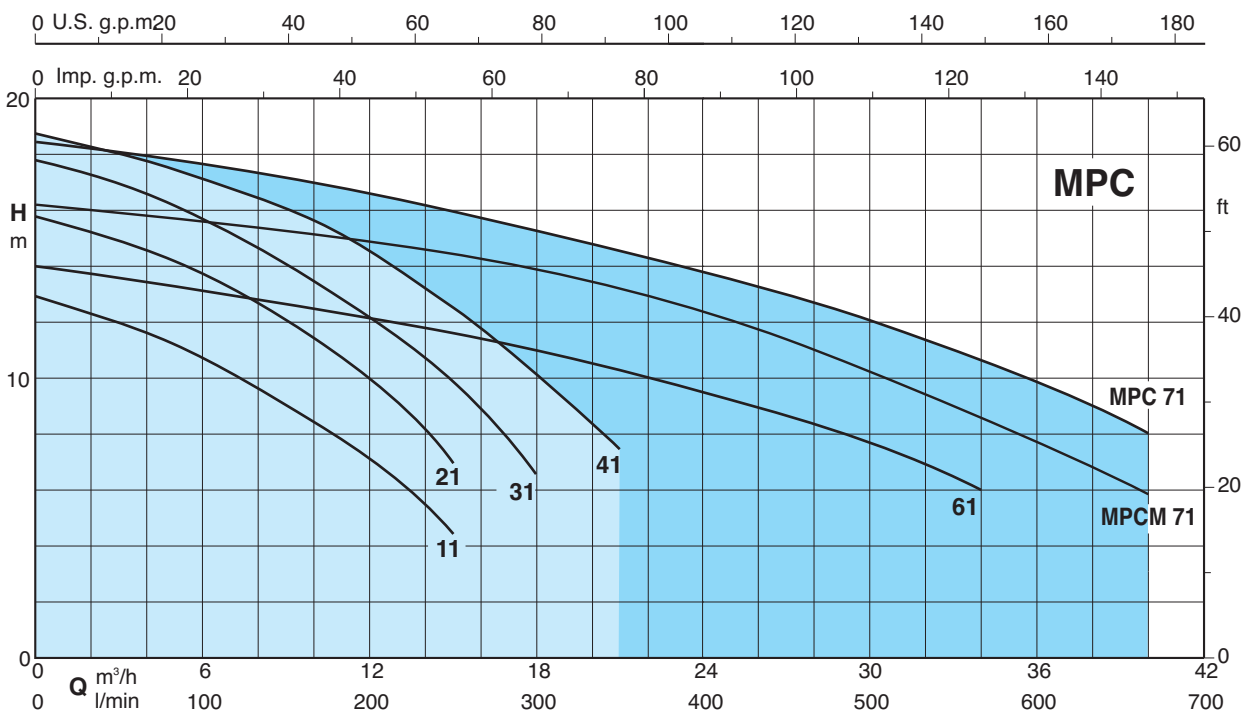
Component	Material
Pump casing	Glass reinforced thermoplastic
Diffuser cover	PPO-GF30, NORYL
Impeller	PPO-GF30, NORYL
Strainer cover	Transparent polycarbonate, LEXAN
Strainer basket	Polypropylene
Diffuser funnel with wear-ring	Chrome-nickel-molybdenum stainless steel AISI 316
Mechanical seal	Ceramic alumina, Carbon, FPM

Special features on request

- Other voltages.

Patents: EP 0 460 597
US 5 226 790

Coverage chart n = 3450 rpm



Performance n ≈ 3450 rpm

3~	220 V 380 V			1~	220 V		P ₂		Q								
	A	A	IA/IN		A	IA/IN	kW	HP		m ³ /h	3	6	9	12	15	18	21
MPC 11-60	3,1	1,8	4,8	MPCM 11-60	4,1	2,7	0,37	0,5	H	50	100	150	200	250	300	350	
MPC 21-60/A	3,6	2,1	3,7	MPCM 21-60/A	5,2	3,1	0,55	0,75		12	10,5	9	7	4,5			
MPC 31-60/A	4,5	2,6	6,8	MPCM 31-60/A	6,9	3,1	0,75	1		15	13,5	12	10	7			
MPC 41-60	5,7	3,3	5,5	MPCM 41-60	8,5	3	1,1	1,5		17	15,5	14	12	10	6,5		
										18	17	16	14,5	12,5	10	7,5	

3~	220 V 380 V			1~	220 V		P ₂		Q										
	A	A	IA/IN		A	IA/IN	kW	HP		m ³ /h	3	9	15	18	21	24	27	30	34
MPC 61-60	7,4	4,3	6,6	MPCM 61-60	10,6	3,8	1,5	2	H	50	150	250	300	350	400	450	500	567	667
				MPCM 71-60/A	13,5	4,5	1,8	2,5		13,5	12,5	11,5	11	10,5	9,5	8,5	7,5	6	
										15,8	15,2	14,4	13,8	13,2	12,3	11,3	10,2	8,5	5,8
MPC 71-60	11,1	6,4	7,3				2,2	3		18	17	16	15,5	14,5	14	13	12	10,5	8

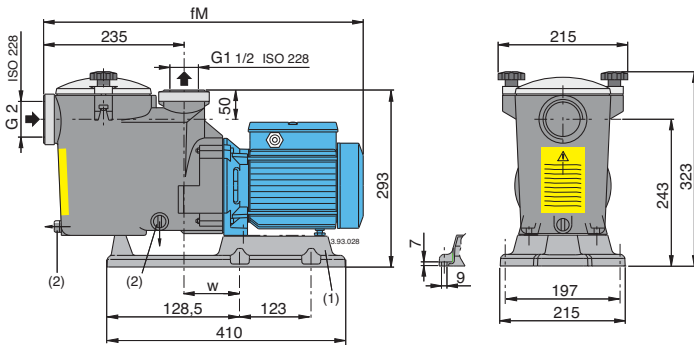
IA/IN = D.O.L. starting current / Rated current

P₂ Rated motor power output.

H Total head in m.

Tolerances according to UNI EN ISO 9906:2012.

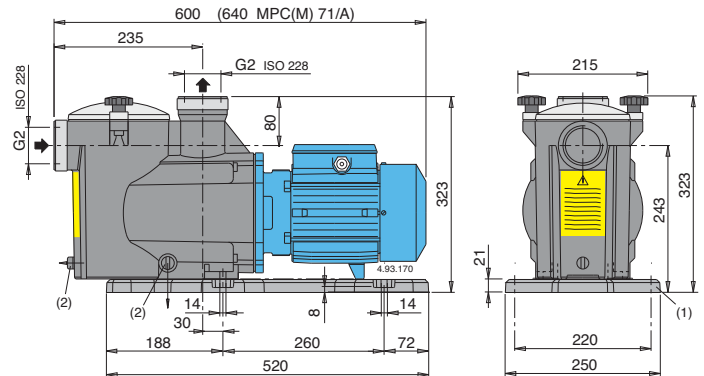
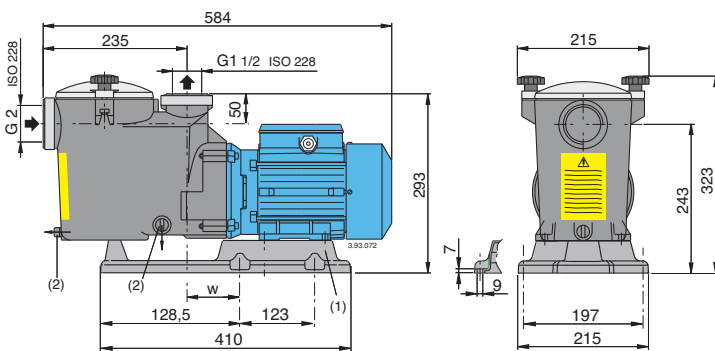
Dimensions and weights



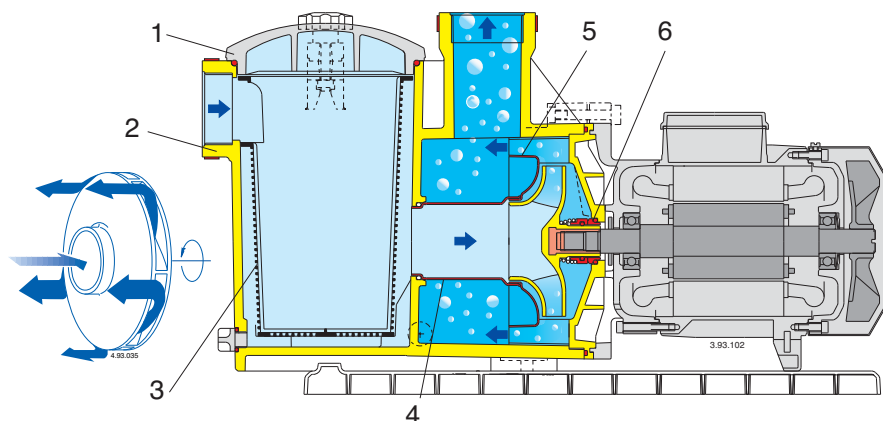
TYPE	mm		kg	
	fM	w	MPC	MPCM
MPC 11-60	504	332	8,9	9
MPC 21-60/A	536	337	10,2	11,3
MPC 31-60/A	536	337	11,2	12,2

MPCM 41-60 17,5 kg
MPC 41-60 16,0 kg

MPCM 61-60 20,7 kg
MPC 61-60 19,6 kg
MPC 71-60 20,7 kg



(1) Base-plate kit (2) Draining



- 1) Strong transparent Lexan strainer cover.
- 2) Strong Noryl pump casing.
- 3) Large 2-litre capacity strainer basket.
- 4) Stainless steel (AISI 316) wear-ring diffuser-funnel, for **extra reliability**.
- 5) Diffuser with peripheral-longitudinal flow, for a **quicker self-priming**.
- 6) Mechanical seal without contact with the shaft, for **extra safety**.